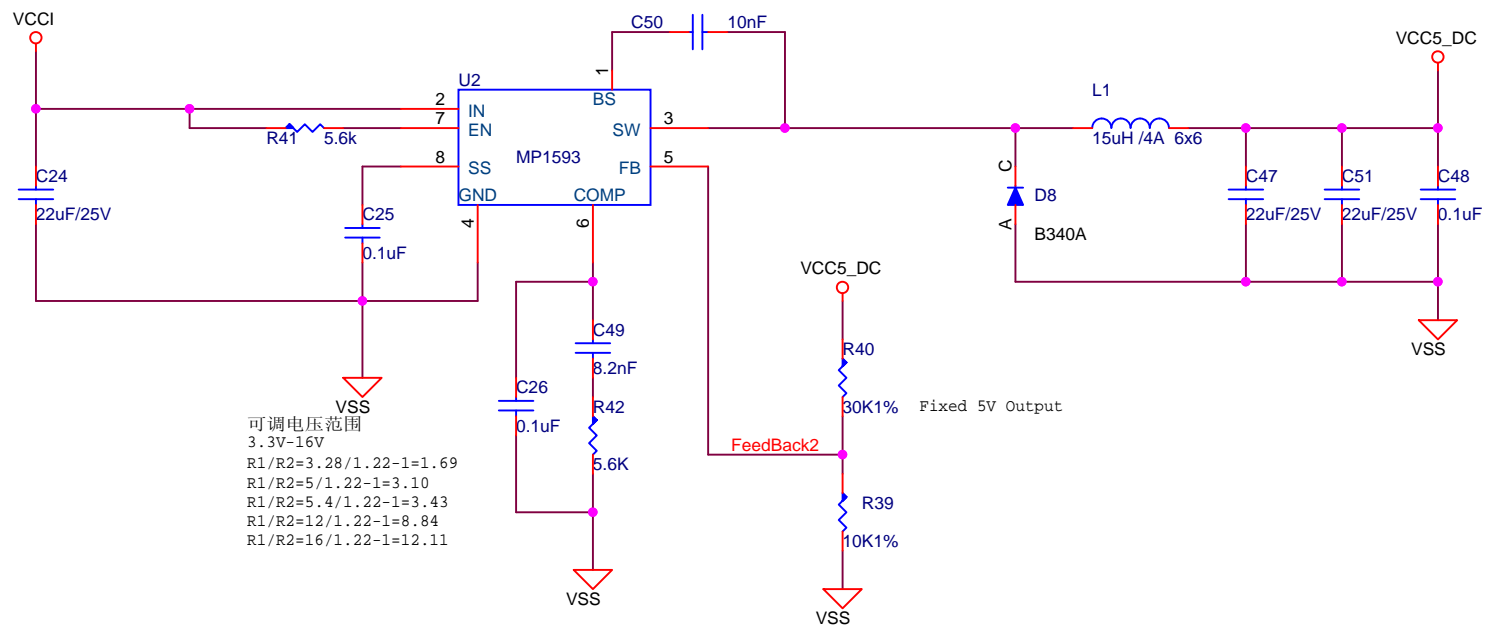
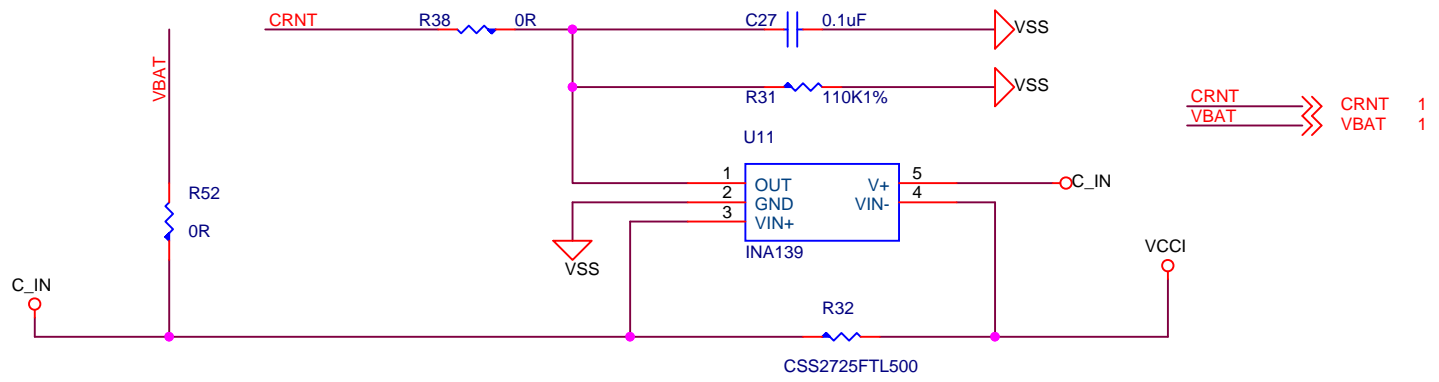


File	<Title>	Rev	GA
Size	Document Number		
A2	<Doc>		
Date:	Wednesday, August 17, 2018	Sheet	1 of 2



Title		
<Title>		
Size	Document Number	Rev
A4	<Doc>	0A
Date:	Wednesday, August 17, 2016	Sheet 2 of 2